

Cedos: a Practical Cellular Data Offloading System for Mobile Users

YoungGyoun Moon, Donghwi Kim, Younghwan Go, Yung Yi, Song Chong, and KyoungSoo Park
Department of Electrical Engineering, KAIST

Wi-Fi Offloading

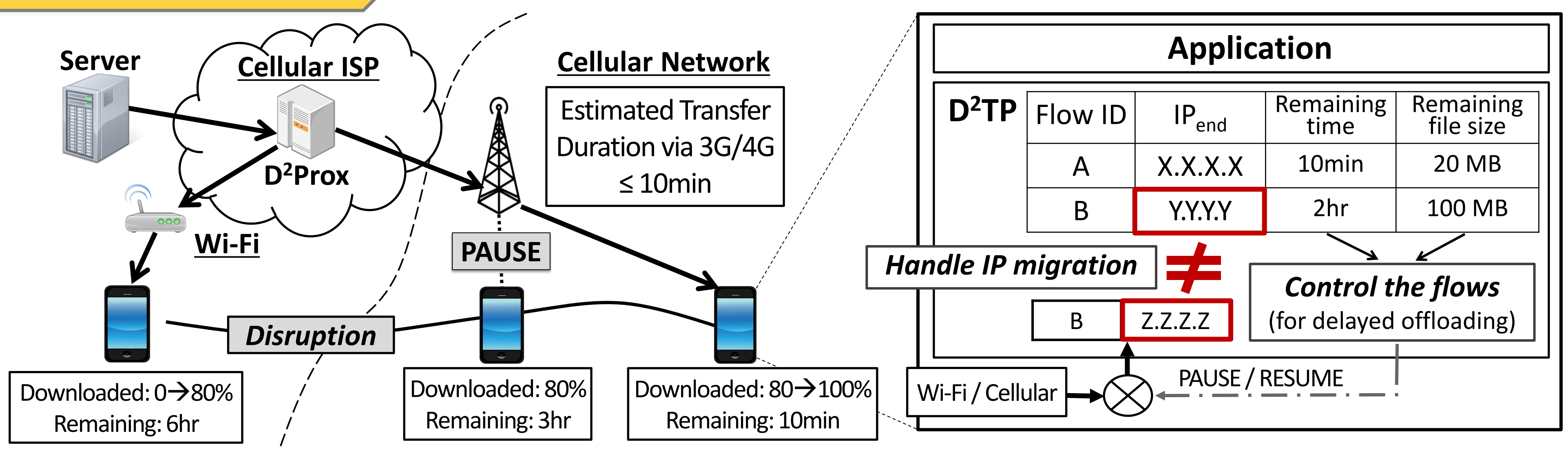
- Detouring cellular data to high-bandwidth, low-cost Wi-Fi networks
- Wi-Fi APs are actively deployed by ISPs
- Delay helps increasing Wi-Fi contact chances (Wi-Fi offloading ratio: 60% → 93.7% with 1 hour delay^[1])

[1] K. Lee, I. Rhee, J. Lee, S. Chong, and Y. Yi. Mobile Data Offloading: How Much Can WiFi Deliver? (CoNEXT '10)

Problem with on-the-spot Wi-Fi offloading

1. Change of IP address when switching Wi-Fi ↔ LTE
 - Causes all on-going TCP connections to fail
 - Requires retransmission of the same content
2. No practical system supporting **delayed** offloading
 - Exploits Wi-Fi contacts with deadline guarantee
 - Allows long disconnection and supports transport-level resumption

System Design



D²TP: Delay and Disruption Tolerant Transport Layer

- Binds a persistent flow id to a connection
 - Supports seamless switching over IP address change
- Hides network disruptions from the applications
- Exploits the delays allowed by the users
 - Maximizes the Wi-Fi offloading efficiency
 - But completes transmission within allowed delay

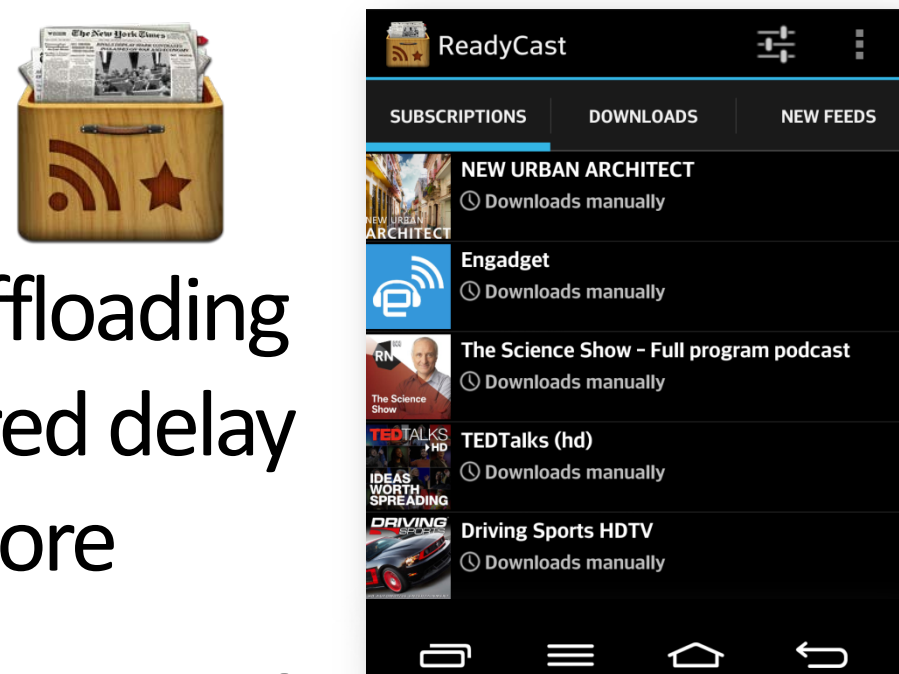
D²Prox: Protocol Translation Proxy

- A web caching proxy bridging D²TP and TCP
- Data delivery via opportunistic connection
 - In a store-and-forward manner
- Easy to migrate existing HTTP apps
 - Requires no modification on existing servers

Applications

ReadyCast (Podcast downloader)

- Designed to support delayed offloading
 - Users can specify the preferred delay
- Now available at Google Play store



Cedos-based VLC (Video streaming player)

- Designed to support opportunistic offloading
 - Fetching the content via intermittent Wi-Fi
- Modified only 61 lines out of 3.7M lines of code

Results

User study with ReadyCast (8 weeks, 50 users)

